

Description

HZ-THZ BT-0004-3 is a N bias tee (also known as bias T) that operates from 450 MHz to 4 GHz with a bias rating of 50 VDC and 3000 mA. This bias tee is configured with N inputs on the RF ports and N on the bias port. BT-0004-3 N bias T offers good electrical performance featuring 0.5 dB insertion loss and 30 dB isolation. Bias tees are typically used to inject a DC signal into an RF path such as when biasing an amplifier or any other active device, supplying power to the connected output without disrupting the RF signal. They can also be used as DC returns to provide a ground return path for the input device or DC blocks to prevent direct current signals from flowing through the output device. HZ-THZ bias tees are available in various connector configurations over different frequency bands to fit your needs, all of which shipped worldwide the same day.

Features

- Broadband: 450 MHz to 4 GHz
- Low Insertion Loss
- Isolation 30 dB
- 3000 mA / 50 VDC Bias
- RF Power 120 W Min

Applications

- Amplifier Biasing
- Coax
- Wireless Systems
- DC Return / Block
- Test and Measurement
- Transmitting Power With a Single
- Communication Systems

Configuration

RF Port Connector	N Female
DC/RF Port Connector	N Male
DC Port Connector	BNC Female

Electrical Specifications

Description	Minimum	Typical	Maximum	Units
Frequency Range	0.45		4	GHz
Impedance		50		Ohms
VSWR		1.5	2.0	: 1
Insertion Loss		0.5	1.0	dB
RF to Bias Isolation		30		dB
DC Current			3000	mA
DC Voltage			50	Vdc
RF Power	120			W
DC Path Bandwidth		25		MHz
DC Resistance		0.3		Ω
Inductance		200		μ H
Capacitance		51		μ F
Risetime/Falltime		10		ps
Operating Temperature	-55		+105	$^{\circ}$ C
Storage Temperature	-55		+125	$^{\circ}$ C

Electrical Specification Notes:

Values at +25 $^{\circ}$ C, sea level.

Mechanical Specifications

Size

Length 2.78 in [70.62 mm]

Width 1.00 in [25.40 mm]

Height 2.14 in [54.23 mm]

Weight 0.11 lbs [50.00 g]

Package Type Customized

Outline Drawings

Unit: mm

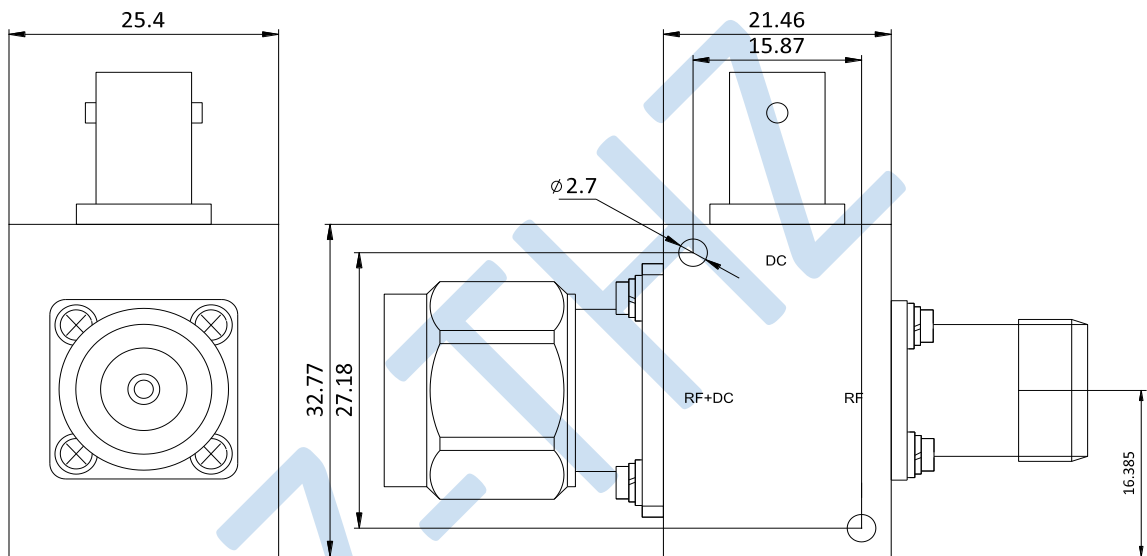
Tolerance: \pm 0.05 mm

Bias Tee

BT-0004-3

450 MHz to 4 GHz, 3000 mA and 50 VDC, N

HZ-THZ



How To Order

BT-0004-3

Pls send request to sales@hz-thz.com.