

Description

HZ-THZ BT-0004 is an SMA bias tee (also known as bias T) that operates from 100 KHz to 4 GHz with a bias rating of 30 Volts and 500 mA. This bias tee is configured with SMA inputs on the RF ports and SMA on the bias port. BT-0004 SMA bias T offers good electrical performance featuring 0.6 dB max insertion loss and 30 dB isolation. Bias tees are typically used to inject a DC signal into an RF path such as when biasing an amplifier or any other active device, supplying power to the connected output without disrupting the RF signal. They can also be used as DC returns to provide a ground return path for the input device or DC blocks to prevent direct current signals from flowing through the output device. HZ-THZ bias tees are available in various connector configurations over different frequency bands to fit your needs, all of which shipped worldwide the same day.

Features

- Broadband: 100 KHz to 4 GHz
- Low Insertion Loss
- Isolation 30 dB
- 500 mA / 30 VDC Bias
- RF Power 10 W Max

Applications

- Amplifier Biasing
- Coax
- Wireless Systems
- DC Return / Block
- Test and Measurement
- Transmitting Power With a Single
- Communication Systems

Configuration

RF Port Connector	SMA Female
DC/RF Port Connector	SMA Male
DC Port Connector	SMA Female

Electrical Specifications

Description	Minimum	Typical	Maximum	Units
Frequency Range	0.0001		4	GHz
Impedance		50		Ohms
VSWR		1.2	1.5	: 1
Insertion Loss		0.6	1.0	dB
RF to Bias Isolation		30		dB
DC Current			500	mA
DC Voltage			30	Volt
RF Power			10	W
DC Resistance		4.5		Ω
Inductance		4700		μ H
Capacitance		0.1		μ F
Risetime/Falltime		10		ps
Operating Temperature	-55		+105	$^{\circ}$ C
Storage Temperature	-55		+125	$^{\circ}$ C

Electrical Specification Notes:

Values at +25 $^{\circ}$ C, sea level.

Mechanical Specifications

Size

Length	1.69 in [42.80 mm]
Width	1.32 in [33.60 mm]
Height	0.55 in [14.00 mm]

Weight 0.07 lbs [30.00 g]

Package Type Customized

Bias Tee

BT-0004

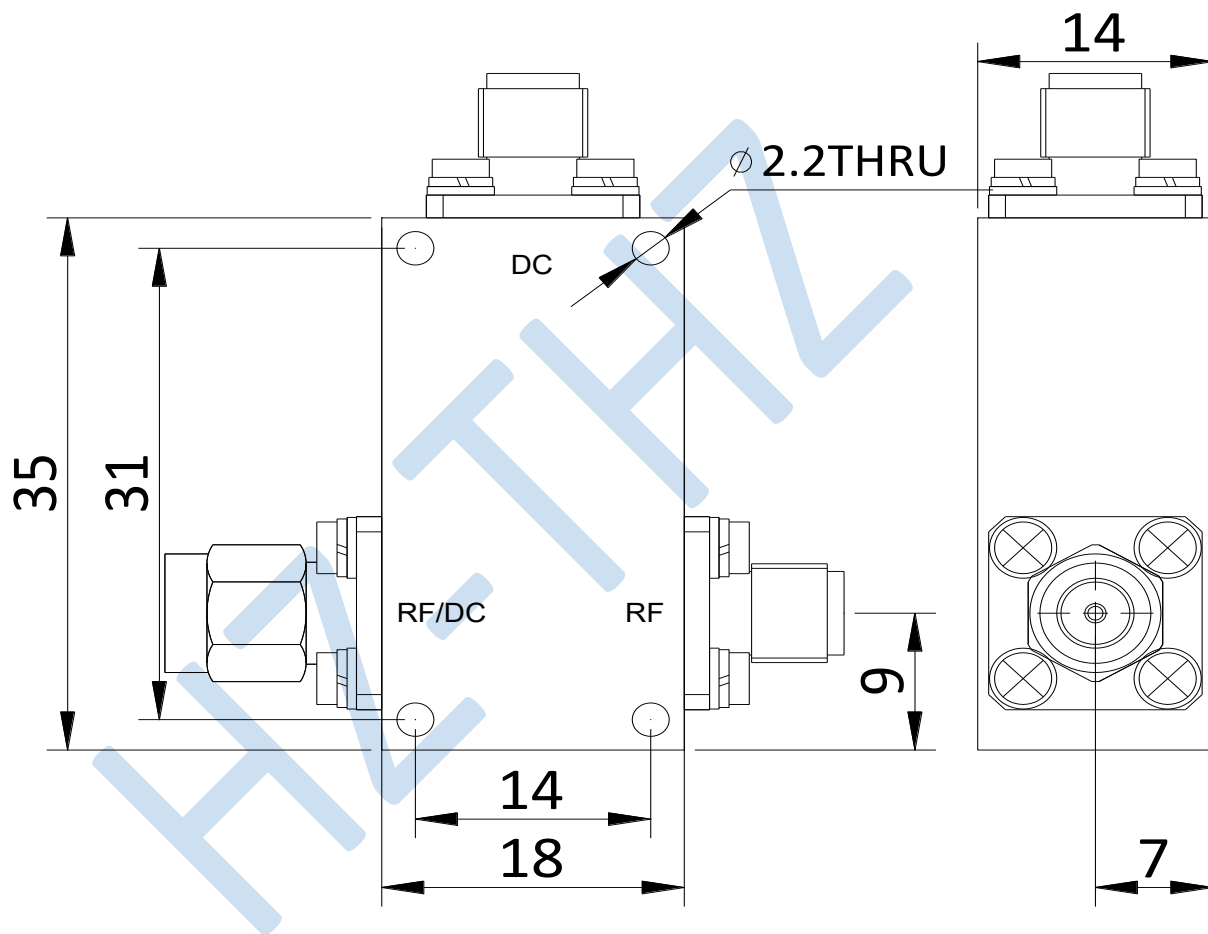
100 KHz to 4 GHz, 500 mA and 30 Volts, SMA

HZ-THZ

Outline Drawings

Unit: mm

Tolerance: ± 0.05 mm



How To Order

BT-0004

Pls send request to sales@hz-thz.com.