

Description

HZ-THZ BT-0018-5 is a SMA bias tee (also known as bias T) that operates from 50 KHz to 18 GHz with a bias rating of 100 VDC and 750 mA. This bias tee is configured with SMA inputs on the RF ports and SMA on the bias port. BT-0018-5 SMA bias T offers good electrical performance featuring 0.5 dB insertion loss and 30 dB isolation. Bias tees are typically used to inject a DC signal into an RF path such as when biasing an amplifier or any other active device, supplying power to the connected output without disrupting the RF signal. They can also be used as DC returns to provide a ground return path for the input device or DC blocks to prevent direct current signals from flowing through the output device. HZ-THZ bias tees are available in various connector configurations over different frequency bands to fit your needs, all of which shipped worldwide the same day.

Features

- Broadband: 50 KHz to 18 GHz
- Low Insertion Loss
- Isolation 30 dB
- 750 mA / 100 VDC Bias
- RF Power 1 W Max

Applications

- Amplifier Biasing
- Coax
- Wireless Systems
- DC Return / Block
- Test and Measurement
- Transmitting Power With a Single
- Communication Systems

Configuration

RF Port Connector	SMA Female
DC/RF Port Connector	SMA Male
DC Port Connector	BNC Female

Electrical Specifications

Description	Minimum	Typical	Maximum	Units
Frequency Range	0.00005		18	GHz
Impedance		50		Ohms
VSWR		1.5	1.8	: 1
Insertion Loss		0.5	1.5	dB
RF to Bias Isolation		30		dB
DC Current			750	mA
DC Voltage			100	Vdc
RF Power			1	W
DC Resistance		0.8		Ω
Inductance		470		μ H
Capacitance		0.22		μ F
Risetime/Falltime		10		ps
Operating Temperature	-55		+105	$^{\circ}$ C
Storage Temperature	-55		+125	$^{\circ}$ C

Electrical Specification Notes:

Values at +25 $^{\circ}$ C, sea level.

Mechanical Specifications

Size

Length	2.17 in [55.00 mm]
Width	1.30 in [33.00 mm]
Height	0.59 in [15.00 mm]

Weight 0.07 lbs [30.00 g]

Package Type Customized

Outline Drawings

Unit: mm

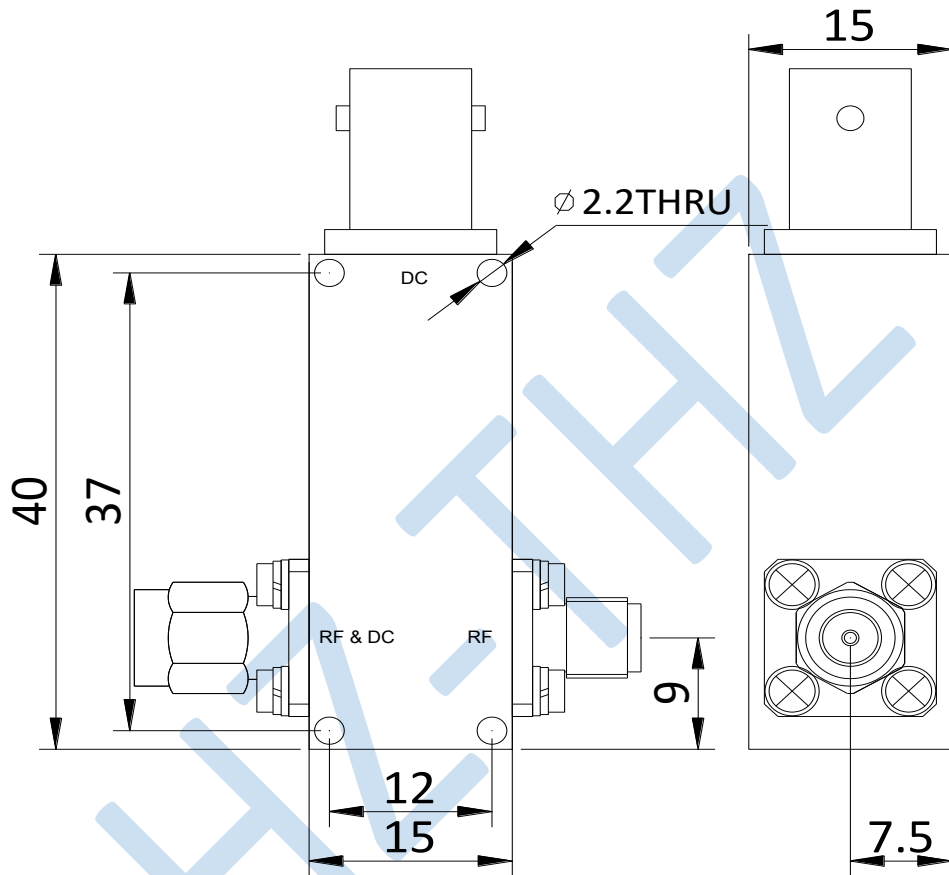
Tolerance: \pm 0.05 mm

Bias Tee

BT-0018-5

50 KHz to 18 GHz, 750 mA and 100 VDC, SMA

HZ-THZ



How To Order

BT-0018-5

Pls send request to sales@hz-thz.com.