

Description

LNA-1MP5G low noise amplifier from HZ-THZ (also known as LNA) is featured in our extensive in-stock RF amplifier selection. Our connectorized low noise amplifier uses SMA connectors at 50 Ohm. HZ-THZ low noise amplifier has a minimum frequency of 1 MHz and maximum frequency of 500 MHz. The significantly low noise figure of this radio frequency amplifier is 3.5 dB with a typical gain of 15.8 dB. The output power P1dB of this LNA is 4 dBm.

LNA amplifier LNA-1MP5G is rated at 15 Volts DC and 13 mA. Our low noise amplifiers are available in various configurations over different frequency bands to fit your needs, all of which shipped worldwide the same day.

Features

- Broadband: 1 MHz to 500 MHz
- Noise Figure: 3.5 dB
- P1dB: 4 dBm
- Small Signal Gain: 15.8 dB typical
- 50 Ohm Input and Output Matched
- -40~+85°C Operating Temperature
- Unconditionally Stable
- Single DC Positive Supply

Applications

- Laboratory Applications
- R&D Labs
- Radar Systems
- Telecom Infrastructure
- Test Instrumentation
- Communication Systems
- Wireless Communication
- Microwave Radio Systems
- Low Noise Amplifier
- General Purpose Amplification
- General Purpose Wireless
- RF Pre-amplification

Low Noise Amplifier

LNA-1MP5G

1 MHz to 500 MHz, 3.5 dB NF, 4 dBm P1dB, 15.8 dB Gain, SMA

HZ-THZ

Electrical Specifications

Description	Minimum	Typical	Maximum	Units
Frequency Range	0.001		0.5	GHz
Small Signal Gain		15.8	16.3	dB
Gain Flatness		±0.5	±1	dB
Input VSWR		2.0	2.5	: 1
Output VSWR		2.0	2.5	: 1
Noise Figure		2.0	3.5	dB
Output Power P1dB	4	6		dBm
Output 3rd Intercept Point	16	18		dBm
Operating DC Current		13	15	mA
Operating DC Voltage		+15		Volts
Input Connector			SMA Female	
Output Connector			SMA Female	

Electrical Specification Notes:

Values at +25°C, sea level.

Absolute Maximum Rating

Parameter	Rating	Units
DC Voltage	+10 to +15	Volts
Operating Temperature	-40 to +85	°C
Storage Temperature	-55 to +85	°C

Low Noise Amplifier

HZ-THZ

LNA-1MP5G

1 MHz to 500 MHz, 3.5 dB NF, 4 dBm P1dB, 15.8 dB Gain, SMA

Mechanical Specifications

Size

Length 1.97 in [50.15 mm]
Width 1.74 in [44.14 mm]
Height 0.75 in [19.05 mm]

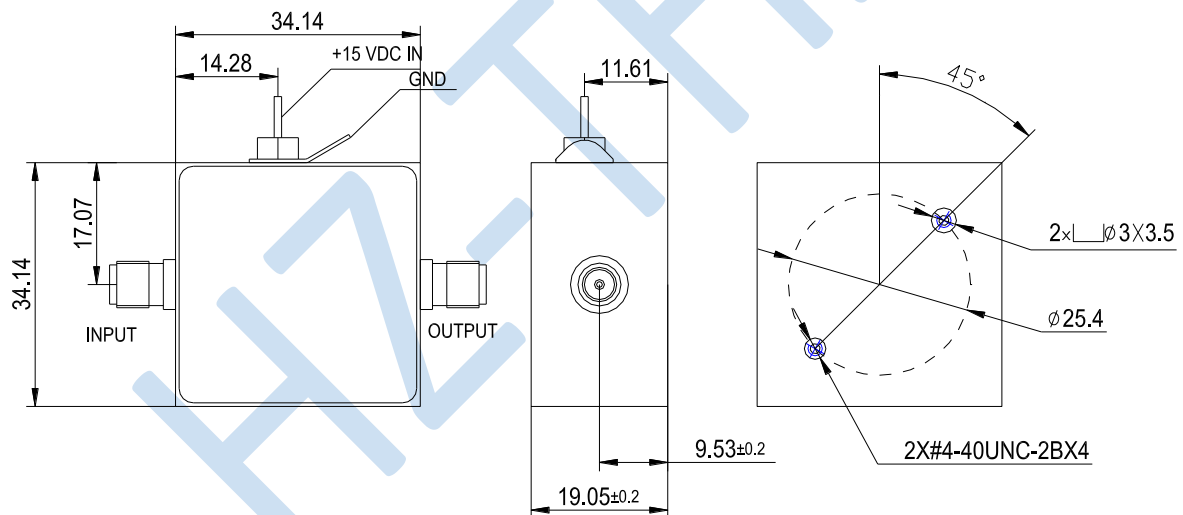
Weight 0.38 lbs [172.00 g]

Package Type Customized

Outline Drawings

Unit: mm

Tolerance: ± 0.05 mm



How To Order

LNA-1MP5G

Pls send request to sales@hz-thz.com.