

Description

PA-1000M18GA RF power amplifier is from HZ-THZ (also known as SSPA) is featured in our extensive in stock radio frequency microwave, millimeter wave and Terahertz amplifier selection. Our connectorized power amplifier uses SMA connectors at 50 Ohm. HZ-THZ coaxial power amplifier has a minimum frequency of 1 GHz and maximum frequency of 18 GHz. This solid state power amplifier is rated with a P1dB of 25 dBm typical. The gain of the SSPA is 24 dB typical.

PA amplifier PA-1000M18GA is rated at 110~220 Volts AC/50 Hz. Our power amplifiers are available in various configurations over different frequency bands to fit your needs, all of which shipped worldwide the same day.

Features

- Broadband: 1 GHz to 18 GHz
- P1dB: 25 dBm
- Gain: 24 dB min
- 50 Ohm Input and Output Matched
- -40~+85°C Operating Temperature
- Unconditionally Stable
- Single DC Positive Supply

Applications

- Laboratory Applications
- R&D Labs
- Radar Systems
- Telecom Infrastructure
- Test Instrumentation
- Communication Systems
- Wireless Communication
- Microwave Radio Systems
- Power Amplifier
- High Dynamic Range Amplifier
- General Purpose Amplification
- Military & Space

Power Amplifier

PA-1000M18GA

1 GHz to 18 GHz, 25 dBm P1dB, 24 dB Gain, SMA

HZ-THZ

Electrical Specifications

Description	Minimum	Typical	Maximum	Units
Frequency Range	1		18	GHz
Gain	20	24		dB
Gain Flatness		±1.5	±2.0	dB
Input VSWR		1.6	2	: 1
Output VSWR		1.6	2	: 1
Output Power P1dB		25	3.5	dBm
Saturated Output Power (Psat)	26			dBm
Output 3rd Intercept Point		36		dBm
Spurious		-60		dBc
Operating AC Voltage/50Hz	110		220	Volts
Input Connector		SMA Female		
Output Connector		SMA Female		

Electrical Specification Notes:

Values at +25°C, sea level.

Absolute Maximum Rating

Parameter	Rating	Units
AC Voltage/50Hz	110 to 220	Volts
RF Input Power	10	dBm
Operating Temperature	-40 to +85	°C
Storage Temperature	-55 to +125	°C

Power Amplifier

HZ-THZ

PA-1000M18GA

1 GHz to 18 GHz, 25 dBm P1dB, 24 dB Gain, SMA

Mechanical Specifications

Size

Length	8.27 in [210.00 mm]
Width	5.20 in [132.00 mm]
Height	2.56 in [65.00 mm]

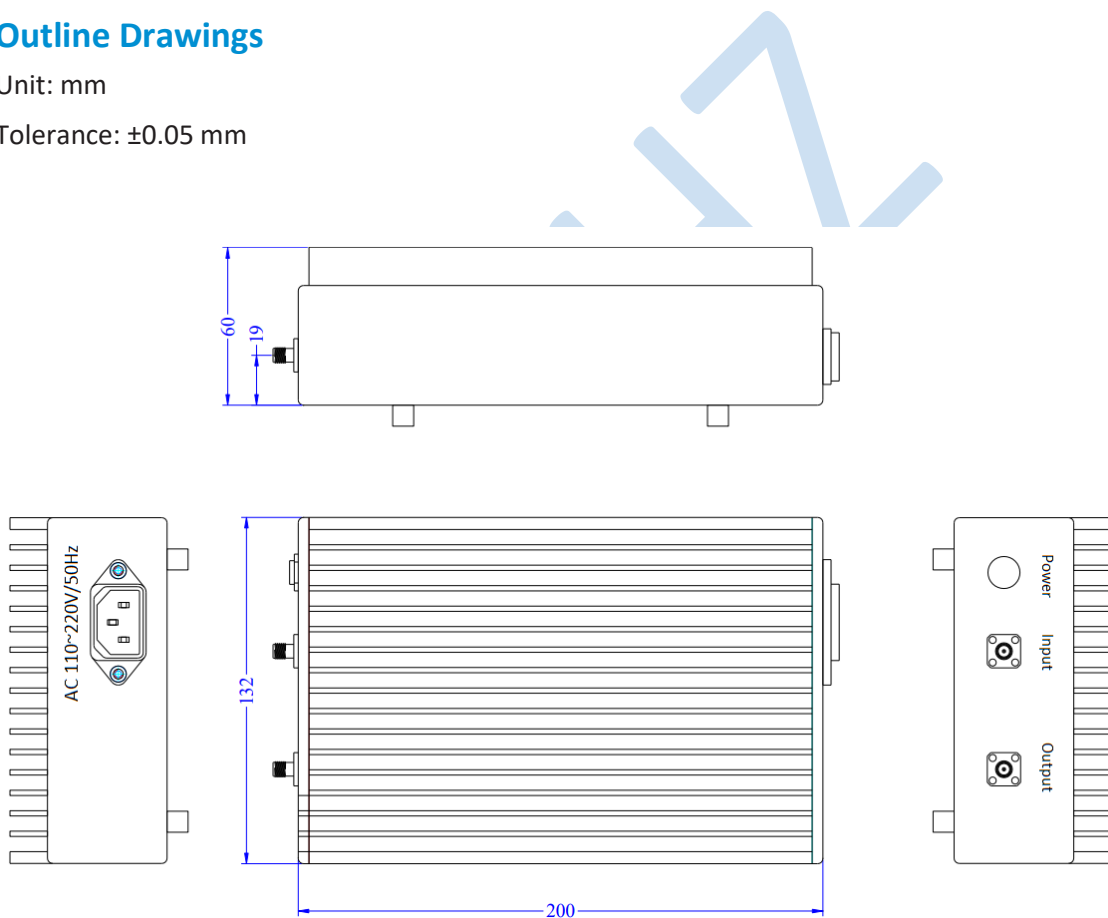
Weight	1.82 lbs [825.00 g]
--------	---------------------

Package Type	Customized
--------------	------------

Outline Drawings

Unit: mm

Tolerance: ± 0.05 mm



How To Order

PA-1000M18GA

Pls send request to sales@hz-thz.com.