

Description

PA-1000M2G RF power amplifier is from HZ-THZ (also known as SSPA) is featured in our extensive in stock radio frequency microwave, millimeter wave and Terahertz amplifier selection. Our connectorized power amplifier uses SMA connectors at 50 Ohm. HZ-THZ coaxial power amplifier has a minimum frequency of 1 GHz and maximum frequency of 2 GHz. This solid state power amplifier is rated with a P1dB of 40 dBm typical. The gain of the SSPA is 47 dB typical.

PA amplifier PA-1000M2G is rated at +28 Volts DC and 2000 mA. Our power amplifiers are available in various configurations over different frequency bands to fit your needs, all of which shipped worldwide the same day.

Features

- Broadband: 1 GHz to 2 GHz
- P1dB: 40 dBm
- Gain: 47 dB min
- 50 Ohm Input and Output Matched
- -40~+85°C Operating Temperature
- Unconditionally Stable
- Single DC Positive Supply

Applications

- Laboratory Applications
- R&D Labs
- Radar Systems
- Telecom Infrastructure
- Test Instrumentation
- Communication Systems
- Wireless Communication
- Microwave Radio Systems
- Power Amplifier
- High Dynamic Range Amplifier
- General Purpose Amplification
- Military & Space

Power Amplifier

PA-1000M2G

1 GHz to 2 GHz, 40 dBm P1dB, 47 dB Gain, SMA

HZ-THZ

Electrical Specifications

Description	Minimum	Typical	Maximum	Units
Frequency Range	1		2	GHz
Gain	45	47		dB
Gain Flatness		±0.1	±0.15	dB
Input VSWR		1.5	2.0	: 1
Output VSWR		1.5	2.0	: 1
Output Power P1dB		40		dBm
Saturated Output Power (Psat)	33	45		dBm
Output 3rd Intercept Point		46		dBm
Operating DC Current		2000	3000	mA
Operating DC Voltage		28		Volts
Input Connector			SMA Female	
Output Connector			SMA Female	

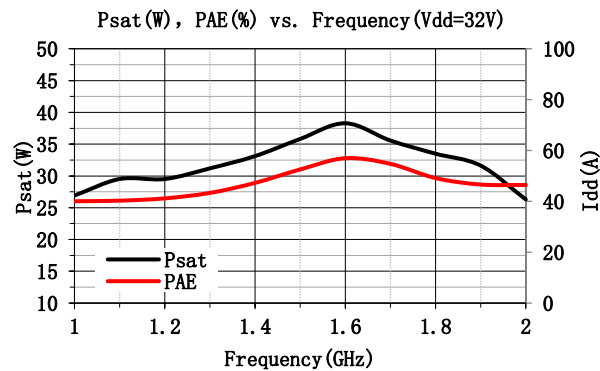
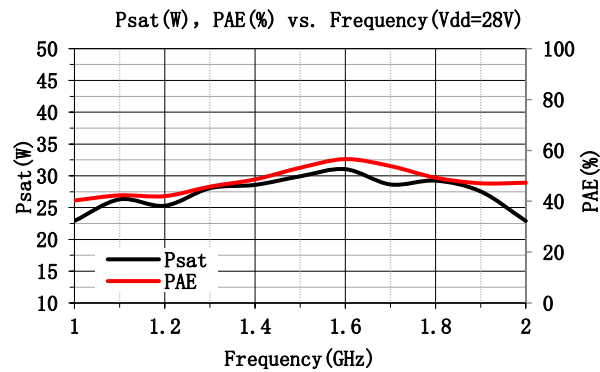
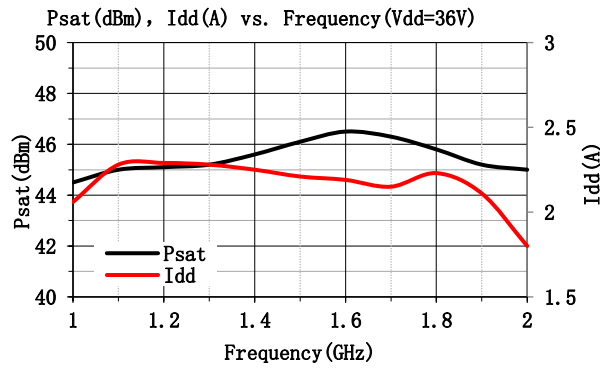
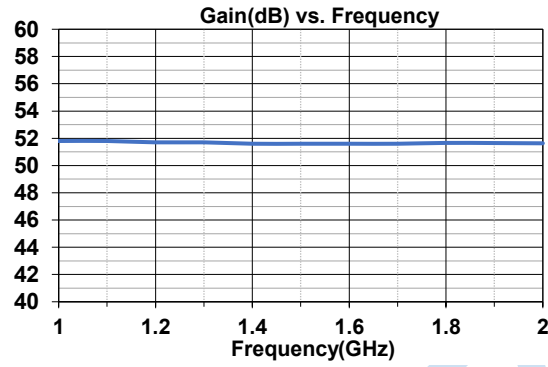
Electrical Specification Notes:

Values at +25°C, sea level.

Absolute Maximum Rating

Parameter	Rating	Units
DC Voltage	+28 to +36	Volts
Operating Temperature	-40 to +85	°C
Storage Temperature	-55 to +125	°C

Typical Performance Data



Power Amplifier

PA-1000M2G

1 GHz to 2 GHz, 40 dBm P1dB, 47 dB Gain, SMA

HZ-THZ

Mechanical Specifications

Size

Length 4.25 in [108.00 mm]
Width 1.97 in [50.00 mm]
Height 0.59 in [15.00 mm]

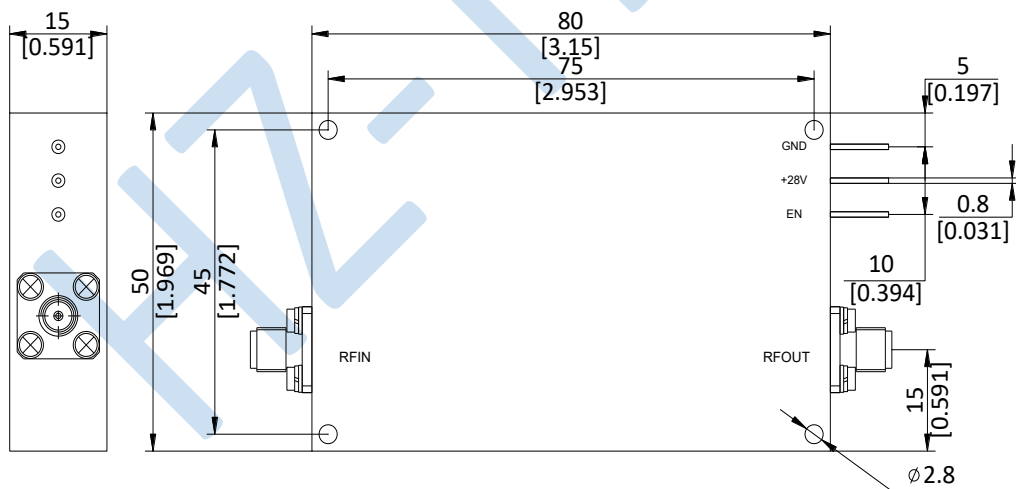
Weight 0.45 lbs [205.00 g]

Package Type Customized

Outline Drawings

Unit: mm

Tolerance: ± 0.05 mm



How To Order

PA-1000M2G

Pls send request to sales@hz-thz.com.